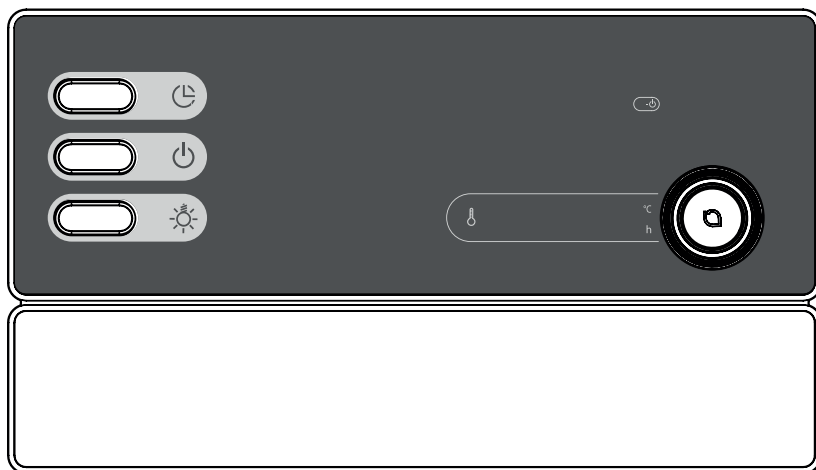


Sauna control unit

Pro B2

PRO-B2

INSTRUCTIONS FOR INSTALLATION AND USE
English



EN

DE

FR

IT

NL

SV

FI

Table of Contents

| | |
|---|-----------|
| 1. About this instruction manual | 4 |
| 2. Important information for your safety | 5 |
| 2.1. Intended use | 5 |
| 2.2. Safety information for the installer | 6 |
| 2.3. Safety information for the user | 7 |
| 3. Product description | 8 |
| 3.1. Scope of delivery | 8 |
| 3.2. Optional accessories | 8 |
| 3.3. Product functions | 8 |
| 3.4. Sensor operating modes | 9 |
| 4. Installation | 10 |
| 4.1. Installing the sauna control unit | 10 |
| 4.2. Installing the heater sensor F1 with excess temperature fuse | 12 |
| 4.3. Installing bench sensor F2 (optional) | 13 |
| 5. Electrical connection | 14 |
| 5.1. Connecting the power supply cable and heater cable | 15 |
| 5.2. Connecting the light | 15 |
| 5.3. Connecting the power booster (optional) | 16 |
| 5.4. Connecting heater sensor F1 | 16 |
| 5.5. Installing bench sensor F2 (optional) | 16 |
| 5.6. Connecting the safety shut-off | 16 |
| 5.7. Remote start | 17 |
| 5.8. Finishing installation | 17 |
| 6. Performing tests | 18 |
| 7. Connection diagram | 20 |

| | |
|--|-----------|
| 8. Starting-up | 21 |
| 8.1. Setting the heating period limit | 21 |
| 8.2. Activating/deactivating phase alignment | 22 |
| 8.3. Activating/deactivating the single-sensor mode | 22 |
| 8.4. Displaying the heater temperature in single-sensor mode | 22 |
| 9. Operation | 23 |
| 9.1. Operating elements | 23 |
| 9.2. Switching on the light | 23 |
| 9.3. Switching on the sauna control unit | 24 |
| 9.4. Starting the sauna | 24 |
| 9.5. Changing the preset temperature | 24 |
| 9.6. Setting the preset time | 25 |
| 9.7. Cancelling the preset time function | 26 |
| 9.8. Activating standby for remote operation | 26 |
| 9.9. Switching off the sauna control unit | 26 |
| 10. Cleaning and maintenance | 27 |
| 10.1. Cleaning | 27 |
| 10.2. Maintenance | 27 |
| 11. Disposal | 27 |
| 12. Troubleshooting | 28 |
| 12.1. Error messages | 28 |
| 12.2. Fuses | 29 |
| 13. Technical data | 30 |

1. About this instruction manual

Read these instructions for installation and use carefully and keep them within reach of the sauna control unit. This ensures that you can refer to information regarding your safety and regarding operation at any time.



These installation and operating instructions can also be found in the downloads section of our website: www.sentiotec.com/downloads.

Symbols used for warning notices

In these instructions for installation and use, a warning notice located next to an activity indicates that this activity poses a risk. Always observe the warning notices. This prevents damage to property and injuries, which in the worst case may be fatal.

The warning notices contain keywords, which have the following meanings:



DANGER!

Serious or fatal injury will occur if this warning notice is not observed.



WARNING!

Serious or fatal injury can occur if this warning notice is not observed.



CAUTION!

Minor injuries can occur if this warning notice is not observed.

ATTENTION!

This keyword is a warning that damage to property can occur.

Other symbols



This symbol indicates tips and useful information.

2. Important information for your safety

The sauna control unit Pro B2 has been produced in accordance with the applicable safety regulations for technical units. However, hazards may occur during use. Therefore adhere to the following safety information and the specific warning notices in the individual chapters. Also observe the safety information for the devices connected.

2.1. Intended use

The sauna control unit Pro B2 is used exclusively for operating and controlling the sauna functions in accordance with the technical data.

The sauna control unit Pro B2 may only be used for operating and controlling a sauna heater which has been certified as satisfying the combustion test described in paragraph 19.101 of EN 60335-2-53. If the heater does not meet this requirement, an appropriate safety precaution must be taken (for example: safety shut-off, see **5.6** on page **16**).

The sauna control unit Pro B2 may only be used for operating and controlling 3 heating circuits with a maximum heating capacity of 3.5 kW per heating circuit.

Any use exceeding this scope is considered improper use. Improper use can result in damage to the product, in severe injuries or death.

2.2. Safety information for the installer

- Installation may only be performed by a qualified electrician or similarly qualified person.
- Work on the sauna control unit may only be performed when the power has been disconnected.
- An all-pole disconnecting device with full cut-off compliant with overvoltage category III must be fitted on-site.
- The sauna control unit must be installed outside the sauna room at a height of approx. 1.70 m or in accordance with the recommendation issued by the sauna manufacturer. The ambient temperature must be within a range spanning -10 °C to +40 °C.
- The heater sensor must be attached in a way that it is not affected by a flow of air.
- The heater supply cable must have a minimum cross-section of 2.5 mm² and be temperature resistant up to 150 °C.
- Also comply with the regulations applicable at the installation location.
- For your own safety, consult your supplier in the event of problems that are not explained in sufficient detail in the installation instructions.

2.3. Safety information for the user

- The sauna control unit must not be used by children under 8 years old.
- The sauna control unit may only be used by children above 8 years old, by persons with limited psychological, sensory or mental capabilities or by persons with lack of experience/knowledge:
 - When they are supervised.
 - When they have been shown how to use the device safely and are aware of the hazards that could occur.
- Children must not play with the sauna control unit.
- Children under 14 years of age may only clean the sauna control unit if they are supervised.
- For health reasons, do not use the sauna when under the influence of alcohol, medication or drugs.
- Make sure that no flammable objects have been placed on the sauna heater before the sauna control unit is switched on.
- Make sure that no flammable objects have been placed on the heater before activating the preset time function or the stand-by mode for the remote start.
- For your own safety, consult your supplier in the event of problems that are not described in sufficient detail in the operating instructions.

3. Product description

3.1. Scope of delivery

- Sauna control unit
- Heater sensor with integrated excess temperature fuse
- Sensor wires
- Installation material

3.2. Optional accessories

- Bench sensor (item number: O-F2)
- Power booster (item number: O-S2-18 / O-S2-30)
- Safety shut-off (item number: SFE-xxxxx)
- pronet web server (item number: PRO-NET)

3.3. Product functions

The sauna control unit Pro B2 features the following functions:

- Regulation of sauna heaters with a heating output of up to 10.5 kW in the temperature range spanning 30 °C to 110 °C.
- A power booster allows the maximum contact rating to be increased from 10.5 kW to 18 kW or 30 kW.
- Remote start function
- Preset time function (up to 24 hours)
- Automatic heating period limiter
The sauna control unit shuts down automatically after the maximum heating period for safety reasons. The maximum heating period can be set to 6 h, 12 h, 18 h or 24 h.
- Excess temperature fuse
The excess temperature fuse is installed in the housing for the heater sensor. Should the sauna heater continue heating after reaching the preferred temperature due to a defect, the excess temperature fuse switches the sauna heater off at a temperature of approx. 139 °C.

3.4. Sensor operating modes

The sauna control unit can be operated with one or two temperature sensors.

Single-sensor mode (F1)

Single-sensor mode must be activated when starting up the sauna for the first time (see **8.3. Activating/deactivating the single-sensor mode** on page **22**).

In single-sensor mode, the sauna control unit is operated with the heater sensor with an excess temperature fuse (F1) only. In single-sensor mode, the sauna control unit only displays the set temperature. The actual temperature is not displayed. Should the sauna control unit display the temperature above the heater (F1) as an actual temperature in single-sensor mode, it must be activated when starting up for the first time (see **8.4. Displaying the heater temperature in single-sensor mode** on page **22**)

Two-sensor mode with bench sensor (F2)

In two-sensor mode with bench sensor, a second temperature sensor (bench sensor) is installed above the rear sauna bench. The sauna control unit displays the temperature measured by the bench sensor as the actual temperature.

4. Installation

4.1. Installing the sauna control unit

ATTENTION!***Damage to the unit***

The sauna control unit is protected against jets of water, however direct contact with water could still damage the unit.

- Install the sauna control unit in a dry place at which a maximum humidity of 95 % is not exceeded.
-

ATTENTION!***Sources of interference can have a negative effect on signal transmission***

- Lay all sensor wires separately from other mains wires and control wires.
 - Protect wires with only one layer of insulation by using a pipe (double insulation).
-

Observe the following points when installing the sauna control unit:

- The sauna control unit must be installed outside the sauna room or in accordance with the recommendation issued by the sauna manufacturer.
- The ambient temperature must be within a range spanning -10 °C to +40 °C.
- The sensors may only be connected using the sensor wires provided with the unit, which are heat-resistant up to 150 °C.



The sensor wires may be extended under the following conditions:

- When a silicon wire resistant to temperatures up to 150 °C is used.
 - The minimum cross-section of the wire is 0.5 mm².
 - The length of the heater sensor wires may NOT exceed 10 m.
-

To install the sauna control unit, perform the following steps:

1. Screw two Phillips-head screws (16 mm) into the wall of the sauna at a height of approx. 1.70 m to a distance of up to 7 mm. The two screws must be placed at a distance of 145 mm from each other (see **Fig. 1**).

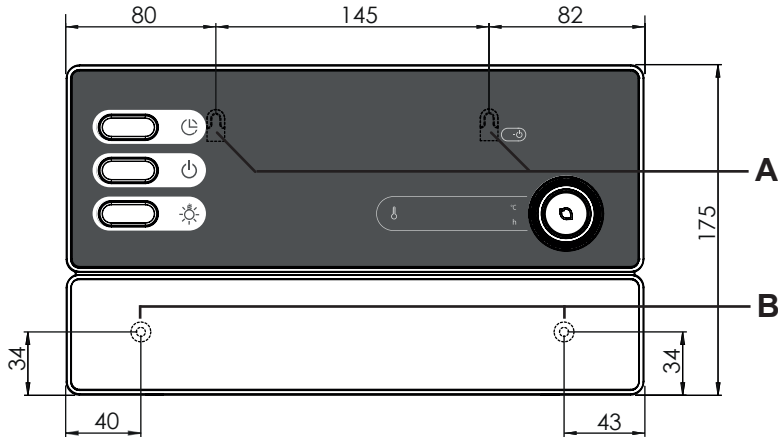


Fig. 1 Position of the attachment device and the installation holes (dimensions in mm)

2. Press the clip locks **C** in lightly using a screwdriver and remove the cover from the housing (see **Fig. 2**).
3. Fasten the sauna control unit onto the Phillips-head screws using the attachment device **A** as an aid (see **Fig. 1**).
4. Screw two Phillips-head screws (16 mm) into the lower fastening holes **B** (see **Fig. 1**).

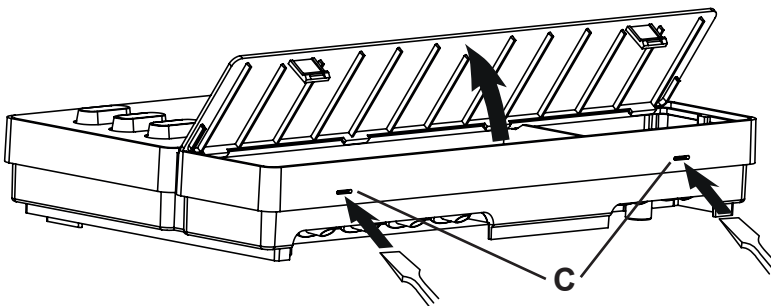


Fig. 2 Removing the cover from the housing

4.2. Installing the heater sensor F1 with excess temperature fuse

Observe the following points when installing the heater sensor:

- The heater sensor must be installed on the rear of the heater, above the middle of the sauna heater. An interval of approx. 15 cm to the roof of the sauna room must be maintained.
- The heater sensor must be attached in a way that it is not affected by a flow of air.

To install the heater sensor, perform the following steps (see **Fig. 3**):

1. Lay the two 2-pin heater sensor wires in the wall of the sauna room, leading them to the heater sensor installation location and affix the heater sensor wires using wire clips.
2. Pull the two half-shells **1** of the heater sensor apart.
3. Connect the four connectors for the heater sensor wire **5** in accordance with the **Fig. 3**.
4. Place the connection panel **2** crossways (as shown in **Fig. 3**) in the heater sensor half-shells.
5. Place the two half-shells together, screw them together using the two Phillips-head screws **3** (9 mm) and check whether the heater sensor has been securely closed.
6. Install the heater sensor on the rear of the heater using the two wood screws enclosed **6** (16 mm).

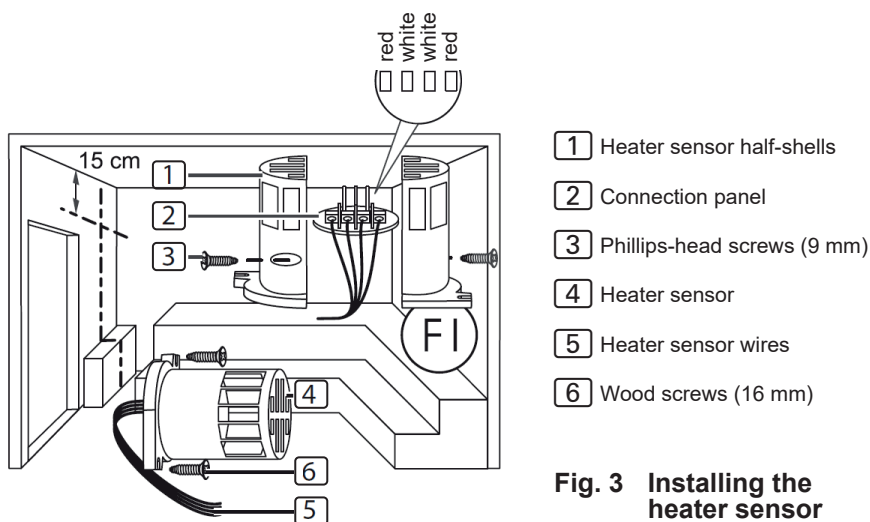


Fig. 3 Installing the heater sensor

4.3. Installing bench sensor F2 (optional)

The bench sensor must be installed on the wall of the sauna room, above the rear bench seat. An interval of approx. 15 cm to the roof of the sauna room must be maintained.

To install the bench sensor, perform the following steps:

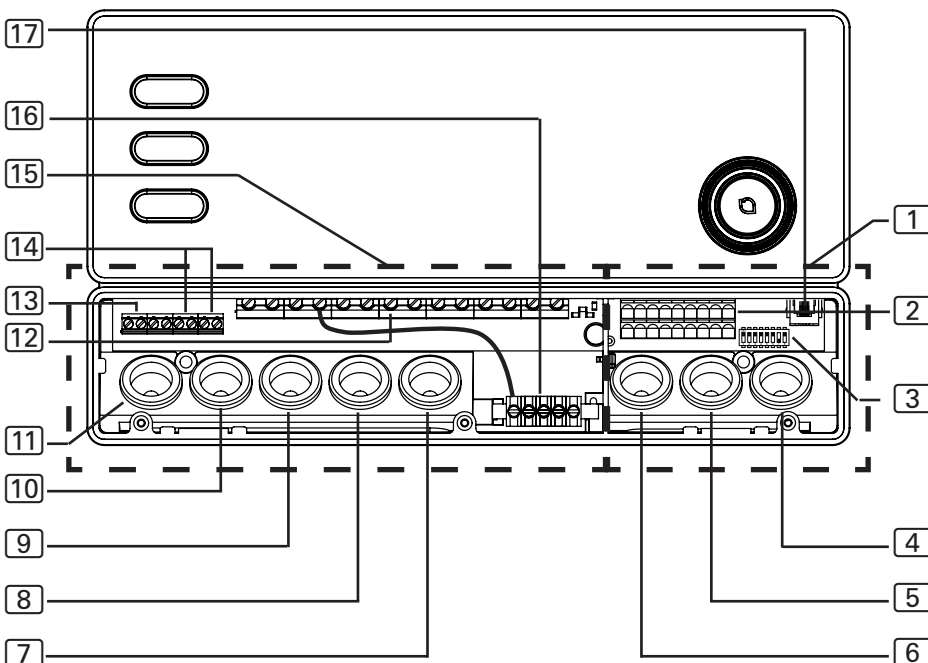
1. Lay the two 2-pin bench sensor wires in the wall of the sauna room, leading them to the bench sensor installation location and affix the bench sensor wires using wire clips.
2. Pull the two half-shells of the bench sensor apart.
3. Connect the two connectors for the bench sensor wire to the two middle terminals on the connection panel.
4. Place the connection panel crossways in the bench sensor half-shells.
5. Place the two half-shells together and screw them together using the two Phillips-head screws (9 mm).
6. Check whether the bench sensor has been securely closed.
7. Install the bench sensor on the wall of the sauna room using the two wood screws enclosed (16 mm). Maintain an interval of 15 cm to the roof of the sauna room.

5. Electrical connection

ATTENTION!

Damage to the unit

- The sauna control unit may only be used for operating and controlling 3 heating circuits with a maximum heating capacity of 3.5 kW per heating circuit.



- | | |
|---|---|
| 1 Low-voltage connection area | 9 Cable bushing for power supply cable |
| 2 Terminal strips for safety shut-off device, remote start and sensor wires | 10 Cable bushing for power booster |
| 3 Function selection switch | 11 Cable bushing for light |
| 4 Cable bushing for F2 sensor | 12 Terminal strip for heater and power supply cable |
| 5 Cable bushing for F1 sensor | 13 Terminal strip light |
| 6 Cable bushing for safety shut-off device and remote start | 14 Terminal strip for power booster |
| 7 Cable bushing (leave free) | 15 Connection area for 230 V / 400 V |
| 8 Cable bushing for heater wire | 16 Earth rail |
| | 17 RJ45 socket for RS-485 and pronet |

Observe the following points when connecting the power to the sauna control unit:

- Installation may only be performed by a qualified electrician or similarly qualified person.



Please observe that in the event of a guarantee claim, a copy of the bill from the electrician performing the work must be presented.

- Work on the sauna control unit may only be performed when the power has been disconnected.
- There must be a fixed connection for the electrical power supply.
- An all-pole disconnecting device with full cut-off compliant with overvoltage category III must be fitted on-site.
- Observe the connection diagram (**Fig. 4**) on page **20**.

5.1. Connecting the power supply cable and heater cable

1. Guide the power supply and heater cable through the cable bushings **9** and **8** into the connection area for 230 V/400 V **15**.
2. Connect the power supply cables to the terminal strip **12** in accordance with the connection diagram. Observe the operating instructions for the respective devices.

EN

5.2. Connecting the light

1. Guide the light cable through the cable bushing **11** into the connection area for 230 V/400 V **15**.
2. Connect the light cable to the terminal strip **13** in accordance with the connection diagram. Observe the operating instructions for the respective device.

5.3. Connecting the power booster (optional)

1. Guide the cable for the power booster through the cable bushing **10** into the connection area for 230 V/400 V **16**.
2. Connect the cable for the power booster to the terminal strip **14** in accordance with the connection diagram. To do so, use terminal “**ST1**” for the safety circuit, and terminal “**ST2**” for the control circuit. Observe the operating instructions for the respective device.

5.4. Connecting heater sensor F1

1. Guide the wires for the heater sensor through the cable bushing **5** into the low-voltage connection area **1**.
2. Connect the red wires for the heater sensor to the terminals labelled “**STB**” in terminal strip **2**.
3. Connect the white wires for the heater sensor to the terminals labelled “**F1**” in terminal strip **2**.

5.5. Installing bench sensor F2 (optional)

1. Guide the wires for the bench sensor through the cable bushing **4** into the low-voltage connection area **1**.
2. Connect the wires for the bench sensor to the terminals labelled “**F2**” in terminal strip **2**.

5.6. Connecting the safety shut-off

EN 60335-2-53 states that sauna control units with remote control may only be used for operating and regulating a sauna heater which has satisfied the combustion test described in paragraph 19.101. Alternatively, a suitable safety shut-off device can be installed in or above the heater. This shuts the sauna heater off when objects, e.g. a towel, are placed on the sauna heater.

To install the safety shut-off device, perform the following steps:

1. Install the safety shut-off device in accordance with the operating instructions for the device.
2. Guide the wires for the safety shut-off device through the cable bushing **6** into the low-voltage connection area **1**.
3. Connect the wires to the terminals labelled “**OSG**” in terminal strip **2**.



If a safety shut-off is not installed, a jumper must be fitted at the terminals labelled “**OSG**”.

5.7. Remote start

This is connected using terminals “**S**” and “**B**”. “**S**” stands for sauna mode. “**B**” is a +24 V DC output. This must be activated using a switch or an actuator on terminal “**S**”.

5.8. Finishing installation

1. Connect the earth conductor for the power supply cable and all devices to the earth rail **16**.
2. Place the cover of the housing on the upper edge of the junction box.
3. Push the clip locks inwards lightly, and turn the cover of the housing downwards until it engages audibly.

6. Performing tests

The following tests must be performed by a certified electrical fitter.



WARNING!

The following tests must be performed with the power supply switched on. There is a danger of electric shock.

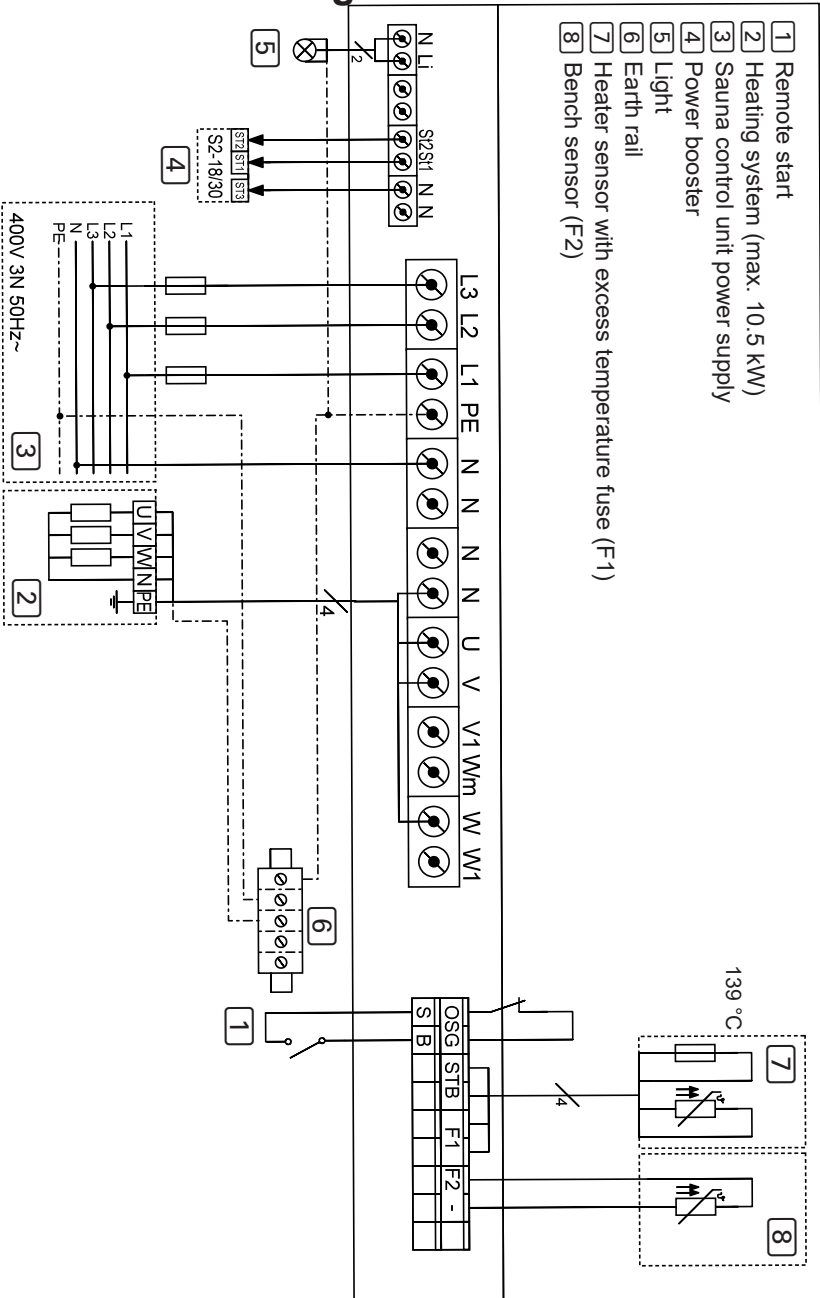
- NEVER touch live parts.
-

1. Check the contact of the earth conductors on the earth conductor terminal.
2. Check the excess temperature fuse on the heater sensor F1.
 - a. Switch on the sauna control unit.
 - b. Open the heater sensor and disconnect one of the two red wires for the heater sensor.
 - ▶ “Err” shows in the top display, “02” shows in the bottom display, and the control unit switches off the heater.
 - c. Switch off the sauna control unit.
 - d. Reconnect the red wire for the heater sensor.
 - e. Now disconnect one of the white wires for the heater sensor.
 - f. Switch on the sauna control unit.
 - ▶ “Err” shows in the top display, “04F1” shows in the bottom display and the control unit switches off the heater.
 - g. Switch off the sauna control unit.
 - h. Reconnect the white wire for the heater sensor.
3. Check the phase circuit for sauna mode L1, L2, L3 is connected to U, V, W.
4. Check the maximum permissible heating output of 3.5 kW per phase on the sauna control unit.

5. When there is an optional power booster:
 - a. Check the control wires ST1, ST2 and ST3.
 - b. Check the maximum permissible heating output of 3 kW per phase on the power booster S2-18.
 - c. Check the maximum permissible heating output of 7 kW per phase on the power booster S2-18.

7. Connection diagram

Fig. 4 Connection diagram



8. Starting-up

The function selection switch in the low-voltage connection area allows a variety of product functions to be activated. The figure at the right shows the standard setting for the function selection switch.

Note that the control unit needs to be switched off for 10 seconds after making changes so that the settings are saved.

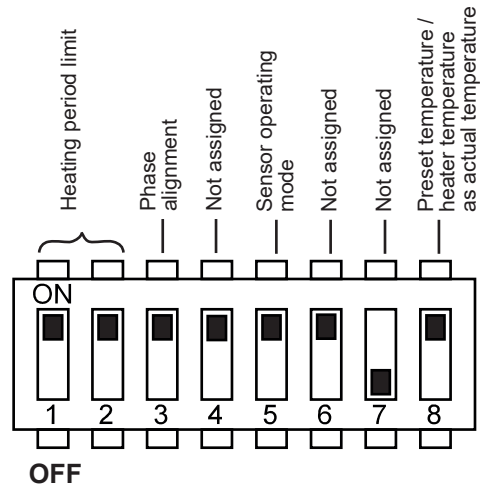


Fig. 5 Function selection switch – Standard setting

8.1. Setting the heating period limit

The maximum heating period is set to 6 hours as standard. The sauna control unit shuts down automatically after the maximum heating period for safety reasons.

The function selection switch in the low-voltage connection area allows the maximum heating period to be set to 12 hours, 18 hours or 24 hours. The required positions of the function selection switch can be found in the table on the right.

| <i>Function selection switch</i> | 1 | 2 |
|----------------------------------|-----|-----|
| 6 hours | ON | ON |
| 12 hours | OFF | ON |
| 18 hours | ON | OFF |
| 24 hours | OFF | OFF |



The EN 60335-2-53 specifies a maximum heating period limit of 6 hours for private saunas. For saunas in hotels, apartment blocks and similar locations, a maximum heating period limit of 12 hours is permissible. Extending the heating period limit to 18 hours or 24 hours is only permitted in public saunas.

8.2. Activating/deactivating phase alignment

Phase alignment is activated or deactivated using the function selection switch **3**.

- The function selection switch **3** is set to the ON position as standard. Phase alignment is therefore activated.
- If you wish to deactivate phase alignment, place the function selection switch **3** in the OFF position.

8.3. Activating/deactivating the single-sensor mode

In single-sensor mode, the sauna control unit is operated with the heater sensor with an excess temperature fuse (F1) only. The single-sensor mode must be activated above the function selection switch **5**.

- The function selection switch **5** is set to the ON position as standard. Two-sensor mode is therefore activated.
- If you wish to deactivate single-sensor mode, place the function selection switch **5** in the OFF position.

8.4. Displaying the heater temperature in single-sensor mode

In single-sensor mode, the sauna control unit only displays the set temperature as standard. The actual temperature is not displayed. Should the sauna control unit display the temperature above the heater (F1) as an actual temperature in single-sensor mode, it must be activated with the function selection switch **8**.

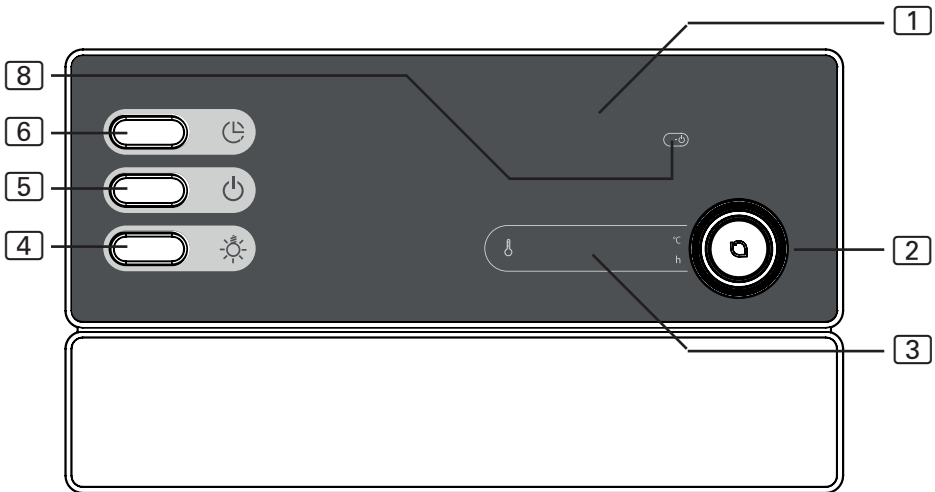
- The function selection switch **8** is set to the ON position as standard. Therefore only the set temperature is displayed.
- Should the temperature above the heater be displayed as an actual temperature, place the function selection switch **8** in the OFF position.



Ensure that the temperature above the heater is always higher than the temperature in the area of the bench seat. With the heater temperature as the actual temperature, the temperature displayed by the sauna control unit is higher than the temperature measured by your sauna room thermometer.

9. Operation

9.1. Operating elements



- | | | | |
|---|----------------------|---|------------------------|
| 1 | Additional display | 4 | Light switch |
| 2 | Temperature selector | 5 | ON/OFF switch |
| 3 | Temperature display | 6 | Preset time button |
| | | 8 | Remote start indicator |

9.2. Switching on the light

The light in the sauna room can be switched on and off independently of the ON/OFF switch [5].

- To switch the light on or off on the power unit, press the light switch [4].

9.3. Switching on the sauna control unit

**WARNING!*****Risk of fire***

Flammable objects that are placed on the sauna heater could ignite and cause fires.

- NEVER place flammable objects on the sauna heater.
- Make sure that NO flammable objects have been placed on the sauna heater before the sauna control unit is switched on.

- Press the ON/OFF switch **[5]**, to switch on the sauna control unit.
 - ▶ In the temperature display **[3]**, “0” appears for a few seconds. Then the current temperature in the sauna room is displayed. In single-sensor mode, the previously set preset temperature is displayed.

9.4. Starting the sauna

1. Use the temperature selector **[2]** to set the preferred temperature.
 - ▶ The temperature selector **[2]** flashes and the preset temperature is shown in the temperature display **[3]**.
2. Press the temperature selector **[2]**.
 - ▶ The sauna heater is switched on and begins to heat up.
 - ▶ Then the current temperature in the sauna room is displayed in the temperature display **[3]**. In single-sensor mode, the preset temperature is displayed.

9.5. Changing the preset temperature

You can change the preset temperature during operation any time.

- Turn the temperature selector **[2]** to the right to increase the temperature. Turn the temperature selector **[2]** to the left to decrease the temperature.
 - ▶ The temperature selector **[2]** flashes and the preset temperature is shown in the temperature display **[3]**.
 - ▶ Then the current temperature in the sauna room is displayed again in the temperature display **[3]**. In single-sensor mode, the preset temperature is displayed.

9.6. Setting the preset time



WARNING!

Risk of fire

Flammable objects that are placed on the heater will ignite and cause fires.

- NEVER place flammable objects on the sauna heater.
- Make sure that NO flammable objects have been placed on the sauna heater before you activate the preset timer function.

You can set the preset time in 15 minute intervals. The maximum preset time totals 24 hours. The preset time is shown in hours and minutes, e.g. 8 hours and 15 minutes is shown as 8.15.

1. Start the sauna heater (see point **9.4. Starting the sauna** on page **24**).
2. Press the preset time button **[6]**.
 - ▶ The temperature selector **[2]** flashes and the previously set preset time is shown in the temperature display **[3]**.
3. Press the preset time button **[6]**, to increase the preset time in 15 minute intervals.
4. Once you have reached the required preset time, wait a few seconds.
 - ▶ The sauna control unit changes to standby mode and the timer starts running.
 - ▶ The remaining preset time is shown in the temperature display **[3]**. The temperature selector **[2]** flashes.
 - ▶ Once the preset time has elapsed, the sauna heater switches on.

9.7. Cancelling the preset time function

- Press and hold down the preset time button **[6]** for three seconds (longpress) to cancel the preset time function.
 - ▶ The preset time countdown is cancelled.
 - ▶ Then the current temperature in the sauna room is displayed in the temperature display **[3]**. In single-sensor mode, the preset temperature is displayed.



The most recently selected preset time is saved, which means the last value can be recalled at the touch of a button. To reset the preset time to 00:00, press the preset time button for three seconds.

9.8. Activating standby for remote operation

EN 60335-2-53 specifies that sauna control units with a remote start function must be set manually to “Standby for remote operation” mode. This activation must take place again after each remote start and stop procedure. To do so, perform the following steps:

1. Press the temperature selector **[2]** for three seconds(longpress).
 - ▶ The remote start indicator **[8]** starts flashing.
 - ▶ The sauna control unit is then ready to be started and stopped using a remote start signal.
 - ▶ After a remote start and stop, the remote start indicator goes out and the mode has to be activated again.

9.9. Switching off the sauna control unit

1. Press the temperature selector **[2]**.
 - ▶ The sauna heater is switched off
2. Press the ON/OFF switch **[6]**, to switch off the sauna control unit.
 - ▶ The temperature display **[4]** goes out.
 - ▶ The sauna control unit is switched off.

10. Cleaning and maintenance

10.1. Cleaning

ATTENTION!***Damage to the unit***

The sauna control unit is protected against jets of water, however direct contact with water could still damage the unit.

- Never immerse the device in water.
 - Never pour water over the device.
 - Never clean the device with a cloth which is too wet.
-

1. Immerse a cleaning cloth in a mild, soapy solution.
2. Wring the cleaning cloth out well.
3. Wipe the sauna control unit housing carefully.

10.2. Maintenance

The sauna control unit is maintenance-free.

EN

11. Disposal



- Please dispose of packaging materials in accordance with the applicable disposal regulations.
- Used devices contain reusable materials and hazardous substances. Therefore, do not dispose of your used device with household waste, but do so in accordance with the locally applicable regulations.

12. Troubleshooting

12.1. Error messages

The sauna control unit is equipped with diagnostic software which monitors system statuses when it switches on and during operation. As soon as the diagnostic software identifies an error, the sauna control unit switches the sauna heater off.

Errors are indicated by a recurring warning tone and by flashing on the temperature selector **[3]**. Furthermore, "Err" appears in the additional display **[1]**. The error number appears in the temperature display **[3]**.

Switch the sauna control unit off using the ON/OFF switch **[5]** and rectify the error before switching the sauna control unit on again.

The following table describes the possible errors and their causes. If necessary, tell the error number to your customer service specialist.

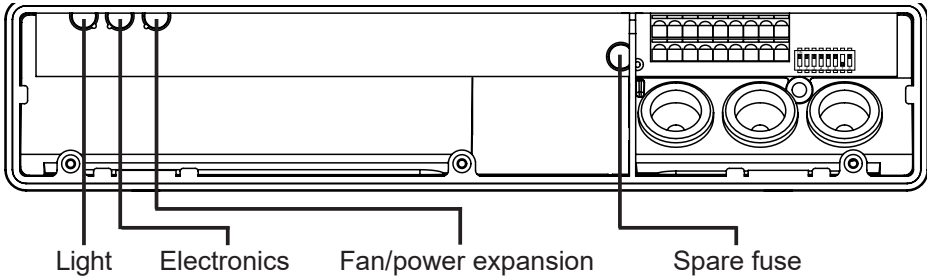
| <i>Error</i> | <i>Description</i> | <i>Cause / rectification</i> |
|--------------|----------------------------|---|
| 01 | Safety shut-off | An object has been placed on the sauna heater. Remove any objects before starting up the sauna heater again. If no safety shut-off is fitted, note "5.6. Connecting the safety shut-off" on page 16. |
| 02 | Safety temperature limiter | The maximum temperature of 139 °C has been exceeded above the heater. |
| 04F1 | Heater sensor error | Defective heater sensor, poor contact, or short circuit. |
| 06F2 | Bench sensor error | Defective bench sensor, poor contact, or short circuit. |

12.2. Fuses

Fuses for light, fan/power expansion and electronics as well as a spare fuse are located in the sauna control unit's connection area.

These are 1A time delay micro fuses.

They can be ordered using the item number PRO-FUSE.



In order to replace the fuse, pull the fuse link straight out and insert the new fuse.

13. Technical data

Ambient conditions

| | |
|----------------------|------------------|
| Storage temperature: | -25 °C to +70 °C |
| Ambient temperature: | -10 °C to +40 °C |
| Relative humidity: | max. 95 % |

Sauna control unit

| | |
|---|-------------------|
| Dimensions: | 307 x 175 x 57 mm |
| Switched voltage / three-phase 3N: | 400 V AC |
| Frequency: | 50 Hz |
| Contact rating/heater: | 3 x 3.5 kW |
| Switched current per phase/heater: | 16 A |
| Rated voltage: | 230 V |
| Protection type (protected against jets of water): | IPX4 |
| Connection to the mains supply as fixed wiring (fixed connection) | |

Light

| | |
|-----------------|-------|
| Contact rating: | 100 W |
| Fuse: | 1A T |

Setting ranges

| | |
|--------------|-----------------|
| Temperature: | 30 °C to 110 °C |
|--------------|-----------------|

Thermal safety

Heater sensor with excess temperature fuse (139 °C shut-off temperature)
Adjustable automatic heating period (6 h, 12 h, 18 h, 24 h)*
Optional single-sensor mode or two-sensor mode

Connection cables

| | |
|---|------------------------------|
| Power supply cable: | min. 5 x 2.5 mm ² |
| Heater supply cable (temperature-resistant up to 150 °C): | min 2.5 mm ² |
| Sensor wires (temperature-resistant up to 150 °C): | min 0.5 mm ² |
| Light wire: | min. 1.5 mm ² |

* EN 60335-2-53 specifies a heating time limitation of 6 h for saunas for private use. For saunas in hotels, apartment blocks and similar locations, a maximum heating period limit of 12 hours is permissible. Extending the heating period limit to 18 hours or 24 hours is only permitted in public saunas.

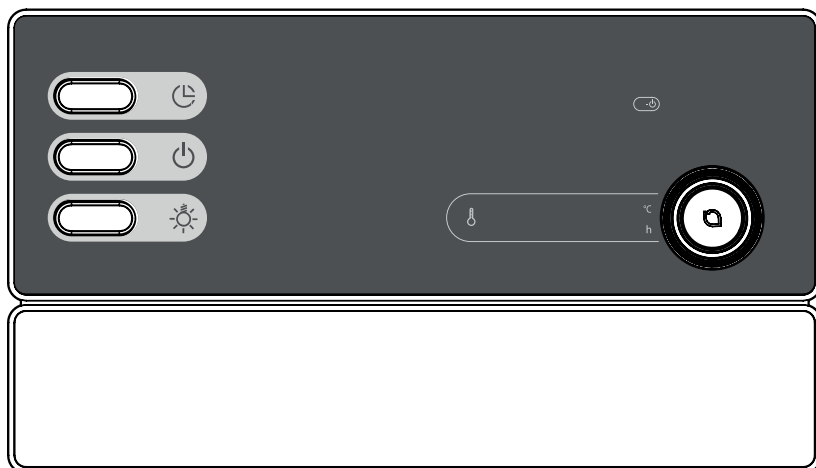


Saunasteuerung

Pro B2

PRO-B2

MONTAGE- UND GEBRAUCHSANWEISUNG
Deutsch



DE

Inhaltsverzeichnis

| | |
|---|-----------|
| 1. Zu dieser Anleitung | 4 |
| 2. Wichtige Hinweise zu Ihrer Sicherheit | 5 |
| 2.1. Bestimmungsgemäßer Gebrauch | 5 |
| 2.2. Sicherheitshinweise für den Monteur | 6 |
| 2.3. Sicherheitshinweise für den Anwender | 7 |
| 3. Produktbeschreibung | 8 |
| 3.1. Lieferumfang | 8 |
| 3.2. Optionales Zubehör | 8 |
| 3.3. Produktfunktionen | 8 |
| 3.4. Fühler-Betriebsarten | 9 |
| 4. Montage | 10 |
| 4.1. Saunasteuerung montieren | 10 |
| 4.2. Ofenfühler F1 mit Übertemperatur-Sicherung montieren | 12 |
| 4.3. Bankfühler F2 (optional) montieren | 13 |
| 5. Elektrischer Anschluss | 14 |
| 5.1. Versorgungsleitung und Ofenleitung anschließen | 15 |
| 5.2. Licht anschließen | 15 |
| 5.3. Leistungserweiterung (optional) anschließen | 16 |
| 5.4. Ofenfühler F1 anschließen | 16 |
| 5.5. Bankfühler F2 (optional) anschließen | 16 |
| 5.6. Sicherheitsabschaltung anschließen | 16 |
| 5.7. Fernstart | 17 |
| 5.8. Installation abschließen | 17 |
| 6. Prüfungen durchführen | 18 |
| 7. Anschlussplan | 20 |

| | |
|---|-----------|
| 8. Inbetriebnahme | 21 |
| 8.1. Heizzeitbegrenzung einstellen | 21 |
| 8.2. Phasenrollierung aktivieren/deaktivieren | 22 |
| 8.3. Ein-Fühlerbetrieb aktivieren/deaktivieren | 22 |
| 8.4. Ofentemperatur im Ein-Fühlerbetrieb anzeigen | 22 |
| 9. Bedienung | 23 |
| 9.1. Bedienelemente | 23 |
| 9.2. Licht einschalten | 23 |
| 9.3. Saunasteuerung einschalten | 24 |
| 9.4. Sauna starten | 24 |
| 9.5. Soll-Temperatur ändern | 24 |
| 9.6. Vorwahlzeit einstellen | 25 |
| 9.7. Vorwahlzeitfunktion abrechnen | 26 |
| 9.8. Standby für Fernwirken aktivieren | 26 |
| 9.9. Saunasteuerung ausschalten | 26 |
| 10. Reinigung und Wartung | 27 |
| 10.1. Reinigung | 27 |
| 10.2. Wartung | 27 |
| 11. Entsorgung | 27 |
| 12. Problemlösung | 28 |
| 12.1. Fehlermeldungen | 28 |
| 12.2. Sicherungen | 29 |
| 13. Technische Daten | 30 |

1. Zu dieser Anleitung

Lesen Sie diese Montage- und Gebrauchsanweisung gut durch und bewahren Sie sie in der Nähe der Saunasteuerung auf. So können Sie jederzeit Informationen zu Ihrer Sicherheit und zur Bedienung nachlesen.



Sie finden diese Montage- und Gebrauchsanweisung auch im Downloadbereich unserer Webseite auf www.sentiotec.com/downloads.

Symbole in Warnhinweisen

In dieser Montage- und Gebrauchsanweisung ist vor Tätigkeiten, von denen eine Gefahr ausgeht, ein Warnhinweis angebracht. Befolgen Sie diese Warnhinweise unbedingt. So vermeiden Sie Sachschäden und Verletzungen, die im schlimmsten Fall sogar tödlich sein können.

In den Warnhinweisen werden Signalwörter verwendet, die folgende Bedeutungen haben:



GEFAHR!

Wenn Sie diesen Warnhinweis nicht beachten, sind Tod oder schwere Verletzungen die Folge.



WARNUNG!

Wenn Sie diesen Warnhinweis nicht beachten, können Tod oder schwere Verletzungen die Folge sein.



VORSICHT!

Wenn Sie diesen Warnhinweis nicht befolgen, können leichte Verletzungen die Folge sein.

ACHTUNG!

Dieses Signalwort warnt Sie vor Sachschäden.

Andere Symbole



Dieses Symbol kennzeichnet Tipps und nützliche Hinweise.

2. Wichtige Hinweise zu Ihrer Sicherheit

Die Saunasteuerung Pro B2 ist nach anerkannten sicherheitstechnischen Regeln gebaut. Dennoch können bei der Verwendung Gefahren entstehen. Befolgen Sie deshalb die folgenden Sicherheitshinweise und die speziellen Warnhinweise in den einzelnen Kapiteln. Beachten Sie auch die Sicherheitshinweise der angeschlossenen Geräte.

2.1. Bestimmungsgemäßer Gebrauch

Die Saunasteuerung Pro B2 dient ausschließlich zum Steuern und Regeln der Funktionen gemäß den technischen Daten.

Die Saunasteuerung Pro B2 darf nur zum Steuern und Regeln eines Saunaofens, der die Abdeckprüfung nach Absatz 19.101 der EN 60335-2-53 besteht, verwendet werden. Erfüllt der Ofen diese Voraussetzung nicht, muss eine entsprechende Sicherheitsvorkehrung getroffen werden (z. Bsp.: Sicherheitsabschaltung siehe **5.6** auf Seite **16**).

Die Saunasteuerung Pro B2 darf nur zum Steuern und Regeln von 3 Heizkreisen mit maximal 3,5 kW Heizleistung pro Heizkreis eingesetzt werden.

Jeder darüber hinausgehende Gebrauch gilt als nicht bestimmungsgemäß. Nicht bestimmungsgemäßer Gebrauch kann zur Beschädigung des Produkts, zu schweren Verletzungen oder Tod führen.

2.2. Sicherheitshinweise für den Monteur

- Die Montage darf nur durch eine Elektrofachkraft oder eine vergleichsweise qualifizierte Person ausgeführt werden.
- Arbeiten an der Saunasteuerung dürfen nur im spannungsfreien Zustand durchgeführt werden.
- Es ist bauseits eine allpolige Trennvorrichtung mit voller Abschaltung entsprechend der Überspannungskategorie III vorzusehen.
- Die Saunasteuerung ist außerhalb der Saunakabine in ca. 1,70 m Höhe oder gemäß den Empfehlungen des Kabinenherstellers zu montieren. Die Umgebungstemperatur muss im Bereich von -10 °C und 40 °C liegen.
- Der Ofenfühler ist so anzubringen, dass er nicht durch einströmende Luft beeinflusst wird.
- Die Ofen-Zuleitung muss einen Querschnitt von mindestens 2,5 mm² aufweisen und bis 150 °C temperaturbeständig sein.
- Beachten Sie auch die örtlichen Bestimmungen am Aufstellort.
- Bei Problemen, die in den Montageanweisungen nicht ausführlich genug behandelt werden, wenden Sie sich zu Ihrer eigenen Sicherheit an Ihren Lieferanten.

2.3. Sicherheitshinweise für den Anwender

- Die Saunasteuerung darf nicht von Kindern unter 8 Jahren verwendet werden.
- Die Saunasteuerung darf von Kindern über 8 Jahren, von Personen mit verringerten psychischen, sensorischen oder mentalen Fähigkeiten und von Personen mit Mangel an Erfahrung und Wissen unter folgenden Bedingungen verwendet werden:
 - wenn sie beaufsichtigt werden
 - wenn ihnen die sichere Verwendung gezeigt wurde und sie die Gefahren, die entstehen können, verstehen.
- Kinder dürfen nicht mit der Saunasteuerung spielen.
- Kinder unter 14 Jahren dürfen die Saunasteuerung nur reinigen, wenn sie beaufsichtigt werden.
- Wenn Sie unter dem Einfluss von Alkohol, Medikamenten oder Drogen stehen, verzichten Sie aus gesundheitlichen Gründen auf das Saunabad.
- Stellen Sie sicher, dass keine brennbaren Gegenstände auf dem Saunaofen liegen, bevor Sie die Saunasteuerung einschalten.
- Stellen Sie sicher, dass keine brennbaren Gegenstände auf dem Saunaofen liegen, bevor Sie die Vorwahlzeitfunktion oder den Standby-Modus für den Fernstart aktivieren.
- Bei Problemen, die in der Gebrauchsanweisung nicht ausführlich genug behandelt werden, wenden Sie sich zu Ihrer eigenen Sicherheit an Ihren Lieferanten.

3. Produktbeschreibung

3.1. Lieferumfang

- Saunasteuerung
- Ofenfühler mit integrierter Übertemperatur-Sicherung
- Fühlerleitungen
- Montagematerial

3.2. Optionales Zubehör

- Bankfühler (Artikelnummer: O-F2)
- Leistungserweiterung (Artikelnummer: O-S2-18 / O-S2-30)
- Sicherheitsabschaltung (Artikelnummer: SFE-xxxxx)
- Webserver pronet (Artikelnummer: PRO-NET)

3.3. Produktfunktionen

Die Saunasteuerung Pro B2 verfügt über folgende Funktionen:

- Regeln von Saunaöfen mit einer Heizleistung bis 10,5 kW im Temperaturbereich von 30 °C bis 110 °C.
- Mit einer Leistungserweiterung kann die maximale Schallleistung von 10,5 kW auf 18 kW oder 30 kW erhöht werden.
- Fernstartfunktion
- Vorwahlzeitfunktion (bis 24 Stunden)
- Automatische Heizzeitbegrenzung
Die Saunasteuerung schaltet sich nach Ablauf der maximalen Heizzeit aus Sicherheitsgründen automatisch ab. Die maximale Heizzeit kann auf 6 h, 12 h, 18 h oder 24 h eingestellt werden.
- Übertemperatur-Sicherung
Die Übertemperatur-Sicherung befindet sich im Fühlergehäuse des Ofenfühlers. Wenn der Saunaofen durch einen Defekt nach Erreichen der Wunschtemperatur weiterheizt, schaltet die Übertemperatur-Sicherung bei ca. 139 °C den Saunaofen automatisch ab.

3.4. Fühler-Betriebsarten

Die Saunasteuerung kann mit einem oder mit zwei Temperaturfühlern betrieben werden.

Ein-Fühlerbetrieb (F1)

Der Ein-Fühlerbetrieb muss bei der Inbetriebnahme aktiviert werden (siehe **8.3. Ein-Fühlerbetrieb aktivieren/deaktivieren** auf Seite **22**).

Im Ein-Fühlerbetrieb wird die Saunasteuerung nur mit dem Ofenfühler mit Über-temperatursicherung (F1-Fühler) betrieben. Im Ein-Fühlerbetrieb zeigt die Saunasteuerung nur die Soll-Temperatur an. Die Ist-Temperatur wird nicht angezeigt. Wenn die Saunasteuerung im Ein-Fühlerbetrieb die Temperatur über dem Ofen (F1-Fühler) als Ist-Temperatur anzeigen soll, muss dies bei der Inbetriebnahme aktiviert werden (siehe **8.4. Ofentemperatur im Ein-Fühlerbetrieb anzeigen** auf Seite **22**).

Zwei-Fühlerbetrieb mit Bankfühler (F2)

Im Zwei-Fühlerbetrieb mit Bankfühler wird ein zweiter Temperaturfühler (Bankfühler) oberhalb der hinteren Saunabank montiert. Die Saunasteuerung zeigt als Ist-Temperatur jene Temperatur an, die vom Bankfühler gemessen wird.

4. Montage

4.1. Saunasteuerung montieren

ACHTUNG!**Schäden am Gerät**

Die Saunasteuerung ist spritzwassergeschützt, trotzdem kann direkter Kontakt mit Wasser das Gerät beschädigen.

- Montieren Sie die Saunasteuerung an einem trockenen Ort, an dem eine maximale Luftfeuchte von 95% nicht überschritten wird.

ACHTUNG!**Störquellen beeinträchtigen die Signalübertragung**

- Verlegen Sie alle Fühlerleitungen getrennt zu anderen Netzleitungen und Steuerleitungen.
- Schützen Sie einfach isolierte Leitungen durch ein Rohr (Doppelisolation).

Beachten Sie bei der Montage der Saunasteuerung folgende Punkte:

- Die Saunasteuerung ist außerhalb der Saunakabine oder gemäß den Empfehlungen des Kabinenherstellers zu montieren.
- Die Umgebungstemperatur muss im Bereich von -10 °C und +40 °C liegen.
- Alle Fühler dürfen nur mit den beiliegenden Fühlerleitungen, die bis 150 °C temperaturbeständig sind, angeschlossen werden.



Die Fühlerleitungen dürfen unter folgenden Bedingungen verlängert werden:

- Verwendung einer bis 150 °C beständigen Silikonleitung.
 - Der Mindestquerschnitt der Leitung beträgt 0,5 mm².
 - Die Länge der Ofenfühler-Leitungen darf 10 m NICHT überschreiten.
-

Zur Montage der Saunasteuerung führen Sie folgende Schritte durch:

1. Drehen Sie zwei Kreuzschlitzschrauben (16 mm) in ca. 1,70 m Höhe bis zu einem Abstand von 7 mm in die Saunawand ein. Die beiden Schrauben müssen einen Abstand von 145 mm zueinander haben (siehe **Abb.1**).

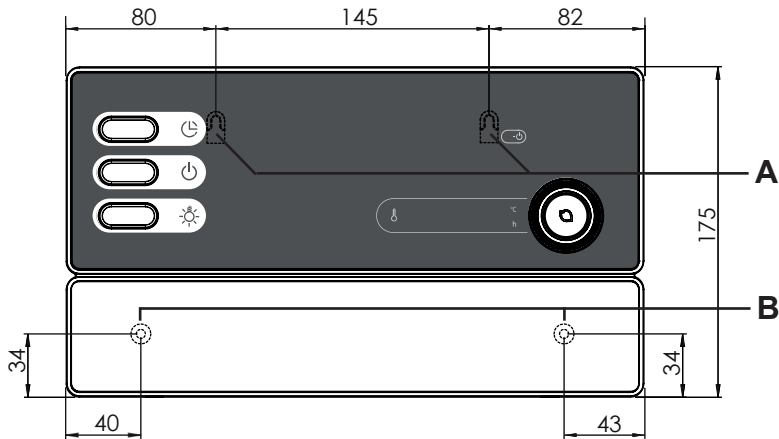


Abb.1 Position der Aufhängevorrichtung und der Montageöffnungen (Maße in mm)

DE

2. Drücken Sie die Schnappverschlüsse **C** mit einem Schraubendreher leicht ein und nehmen Sie den Gehäusedeckel ab (siehe **Abb.2**).
3. Hängen Sie die Saunasteuerung mit Hilfe der Aufhängevorrichtung **A** auf die montierten Kreuzschlitzschrauben (siehe **Abb.1**).
4. Drehen Sie zwei Kreuzschlitzschrauben (16 mm) in die unteren Befestigungsöffnungen **B** ein (siehe **Abb.1**).

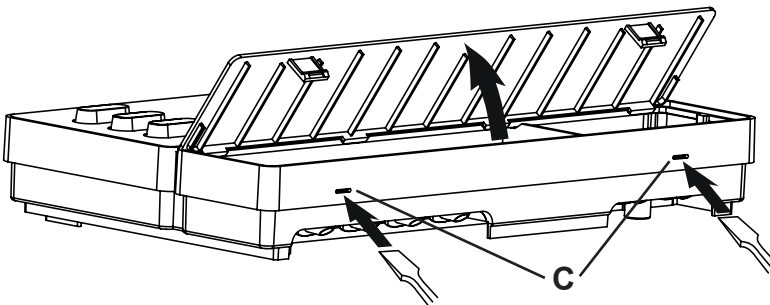


Abb.2 Abnahme des Gehäusedeckels

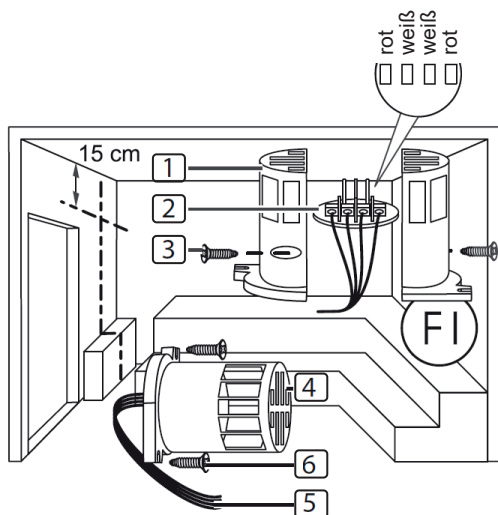
4.2. Ofenfühler F1 mit Übertemperatur-Sicherung montieren

Beachten Sie bei der Montage des Ofenfühlers folgende Punkte:

- Der Ofenfühler ist an der Ofen-Rückwand oberhalb der Mitte des Saunaofens zu montieren. Dabei ist ein Abstand von zirka 15 cm zur Kabinendecke einzuhalten.
- Der Ofenfühler ist so anzubringen, dass er nicht durch einströmende Luft beeinflusst wird.

Zur Montage des Ofenfühlers führen Sie folgende Schritte durch (siehe **Abb.3**):

1. Verlegen Sie die beiden 2-poligen Ofenfühler-Leitungen in der Wand der Saunakabine zum Montageort des Ofenfühlers und fixieren Sie die Ofenfühler-Leitungen mit Leitungsschellen.
2. Ziehen Sie die beiden Halbschalen **1** des Ofenfühlers auseinander.
3. Klemmen Sie die vier Anschlüsse der Ofenfühler-Leitung **5** gemäß der **Abb.3** an.
4. Legen Sie die Anschlussplatte **2** quer (wie in **Abb.3** gezeigt) in die Halbschalen des Ofenfühlers.
5. Schließen Sie die Halbschalen, verschrauben Sie diese mit den beiden Kreuzschlitzschrauben **3** (9 mm) und prüfen Sie, ob der Ofenfühler fest geschlossen ist.
6. Montieren Sie den Ofenfühler an der Ofen-Rückwand mit den beiden beiliegenden Holzschrauben **6** (16 mm).



- 1** Halbschalen des Ofenfühlers
- 2** Anschlussplatte
- 3** Kreuzschlitzschrauben (9 mm)
- 4** Ofenfühler
- 5** Ofenfühler-Leitungen
- 6** Holzschrauben (16 mm)

Abb.3 Montage des Ofenfühlers

4.3. Bankfühler F2 (optional) montieren

Der Bankfühler ist an der Kabinenwand oberhalb der hinteren Sitzbank zu montieren. Dabei ist ein Abstand von zirka 15 cm zur Kabinendecke einzuhalten.

Zur Montage des Bankfühlers führen Sie folgende Schritte durch:

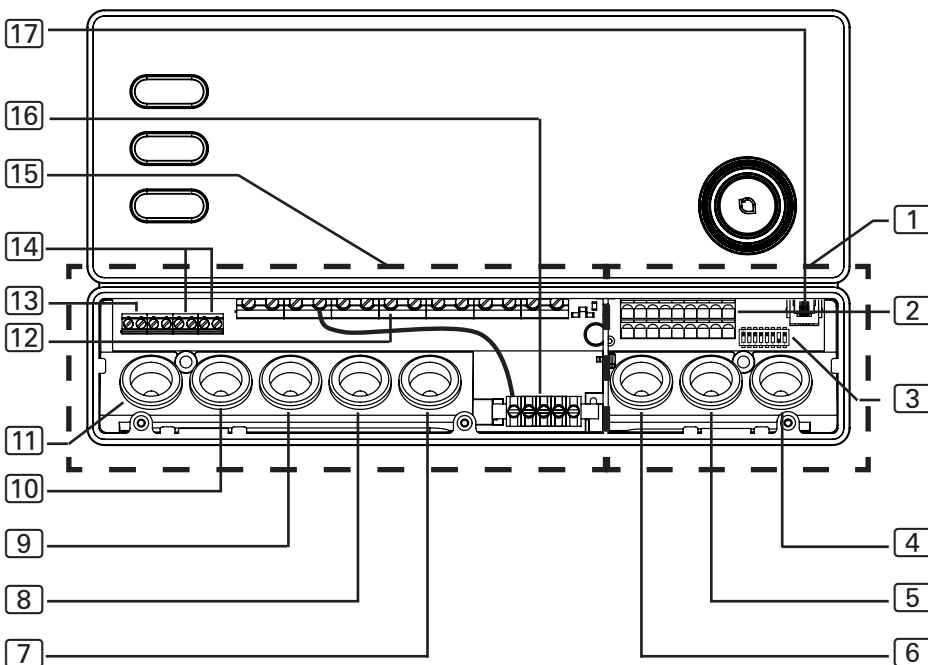
1. Verlegen Sie die 2-polige Bankfühler-Leitung in der Wand der Saunakabine zum Montageort des Bankfühlers und fixieren Sie die Bankfühler-Leitungen mit Leitungsschellen.
2. Ziehen Sie die beiden Halbschalen des Bankfühlers auseinander.
3. Klemmen Sie die beiden Anschlüsse der Bankfühler-Leitung an die beiden mittleren Klemmen der Anschlussplatte an.
4. Legen Sie die Anschlussplatte quer in die Halbschalen des Bankfühlers.
5. Schließen Sie die Halbschalen und verschrauben Sie diese mit den beiden Kreuzschlitzschrauben (9 mm).
6. Prüfen Sie, ob der Bankfühler fest geschlossen ist.
7. Montieren Sie den Bankfühler an der Kabinenwand mit den beiden beiliegenden Holzschrauben (16 mm). Halten Sie dabei einen Abstand von 15 cm zur Kabinendecke ein.

5. Elektrischer Anschluss

ACHTUNG!

Schäden am Gerät

- Die Saunasteuerung darf nur zum Steuern und Regeln von 3 Heizkreisen mit einer Heizleistung von max. 3,5 kW pro Heizkreis eingesetzt werden.



- | | |
|---|---|
| 1 Anschlussbereich für Kleinspannung | 9 Kabeldurchführung für Versorgungsleitung |
| 2 Klemmleiste für Sicherheitsabschaltung, Fernstart und Fühlerleitungen | 10 Kabeldurchführung für Leistungserweiterung |
| 3 Funktionswahlschalter | 11 Kabeldurchführung für Licht |
| 4 Kabeldurchführung für F2-Fühler | 12 Klemmleiste für Ofen- und Versorgungsleitung |
| 5 Kabeldurchführung für F1-Fühler | 13 Klemmleiste für Licht |
| 6 Kabeldurchführung für Sicherheitsabschaltung und Fernstart | 14 Klemmleiste für Leistungserweiterung |
| 7 Kabeldurchführung (bleibt frei) | 15 Anschlussbereich für 230 V / 400 V |
| 8 Kabeldurchführung für Ofenleitung | 16 Erdungsschiene |
| | 17 RJ45-Buchse für RS-485 und pronet |

Beachten Sie beim elektrischen Anschluss der Saunasteuerung folgende Punkte:

- Die Montage darf nur durch eine Elektrofachkraft oder eine vergleichsweise qualifizierte Person ausgeführt werden.



Bitte beachten Sie, dass im Falle eines Garantieanspruches eine Kopie der Rechnung des ausführenden Elektrofachbetriebes vorzulegen ist.

- Arbeiten an der Saunasteuerung dürfen nur im spannungsfreien Zustand durchgeführt werden.
- Die elektrische Versorgung muss als Festanschluss erfolgen.
- Es ist bauseits eine allpolige Trennvorrichtung mit voller Abschaltung entsprechend der Überspannungskategorie III vorzusehen.
- Beachten Sie den Anschlussplan (**Abb.4**) auf Seite **20**.

5.1. Versorgungsleitung und Ofenleitung anschließen

1. Führen Sie die Versorgungs- und die Ofenleitung durch die Kabeldurchführungen **9** und **8** in den Anschlussbereich für 230 V / 400 V **15**.
2. Schließen Sie die Anschlussleitungen gemäß dem Anschlussplan an die Klemmleiste **12** an. Beachten Sie dabei die Bedienungsanleitung der jeweiligen Geräte.

5.2. Licht anschließen

1. Führen Sie die Lichtleitung durch die Kabeldurchführung **11** in den Anschlussbereich für 230 V / 400 V **15**.
2. Schließen Sie die Lichtleitung gemäß dem Anschlussplan an die Klemmleiste **13** an. Beachten Sie dabei die Bedienungsanleitung des jeweiligen Geräts.

5.3. Leistungserweiterung (optional) anschließen

1. Führen Sie die Leitung der Leistungserweiterung durch die Kabeldurchführung **10** in den Anschlussbereich für 230 V / 400 V **15**.
2. Schließen Sie die Leitung der Leistungserweiterung gemäß dem Anschlussplan an die Klemmleiste **14** an. Verwenden Sie dabei die Klemme **"ST1"** für den Sicherheitskreis und die Klemme **"ST2"** für den Steuerkreis. Beachten Sie die Bedienungsanleitung des jeweiligen Geräts.

5.4. Ofenfühler F1 anschließen

1. Führen Sie die Ofenfühler-Leitungen durch die Kabeldurchführung **5** in den Anschlussbereich für Kleinspannung **1**.
2. Schließen Sie die roten Ofenfühler-Leitungen an die Klemmen mit der Beschriftung **"STB"** in der Klemmleiste **2** an.
3. Schließen Sie die weißen Ofenfühler-Leitungen an die Klemmen mit der Beschriftung **"F1"** in der Klemmleiste **2** an.

5.5. Bankfühler F2 (optional) anschließen

1. Führen Sie die Bankfühler-Leitungen durch die Kabeldurchführung **4** in den Anschlussbereich für Kleinspannung **1**.
2. Schließen Sie die Bankfühler-Leitungen an die Klemmen mit der Beschriftung **"F2"** in der Klemmleiste **2** an.

5.6. Sicherheitsabschaltung anschließen

Laut EN 60335-2-53 dürfen Saunasteuerungen mit Fernwirken nur zum Steuern und Regeln eines Saunaofens, der die Abdeckprüfung nach Absatz 19.101 besteht, verwendet werden. Alternativ kann eine entsprechende Sicherheitsabschaltung im oder über dem Ofen installiert werden. Diese schaltet den Saunaofen ab, wenn Gegenstände, z.B. ein Handtuch, auf dem Saunaofen abgelegt werden.

Zur Montage der Sicherheitsabschaltung führen Sie folgende Schritte durch:

1. Montieren Sie die Sicherheitsabschaltung entsprechend der Bedienungsanleitung des Geräts.
2. Führen Sie die Leitungen der Sicherheitsabschaltung durch die Kabeldurchführung **[6]** in den Anschlussbereich für Kleinspannung **[1]**.
3. Schließen Sie die Leitungen an die Klemmen mit der Beschriftung "**OSG**" in der Klemmleiste **[2]** an.



Wird keine Sicherheitsabschaltung montiert, muss eine Drahtbrücke an den Klemmen mit der Beschriftung „**OSG**“ montiert werden.

5.7. Fernstart

Der Anschluss erfolgt über die Klemmen "**S**" und "**B**". "**S**" steht für den Sauna-Betrieb. "**B**" ist ein +24 V DC Ausgang. Dieser muss über einen Schalter oder einen Aktuator auf die Klemme "**S**" geschaltet werden.

5.8. Installation abschließen

1. Schließen Sie die Schutzleiter der Versorgungsleitung und aller Geräte an die Erdungsschiene **[16]** an.
2. Setzen Sie den Gehäusedeckel an den oberen Rand der Anschlussbox.
3. Drücken Sie die Schnappverschlüsse leicht nach innen und schwenken Sie die Gehäuseabdeckung nach unten bis sie hörbar einrastet.

6. Prüfungen durchführen

Die folgenden Prüfungen müssen von einem zugelassenen Elektroinstallateur durchgeführt werden.



WARNUNG!

Die folgenden Prüfungen werden bei eingeschalteter Stromversorgung durchgeführt. Es besteht die Gefahr eines Stromschlages.

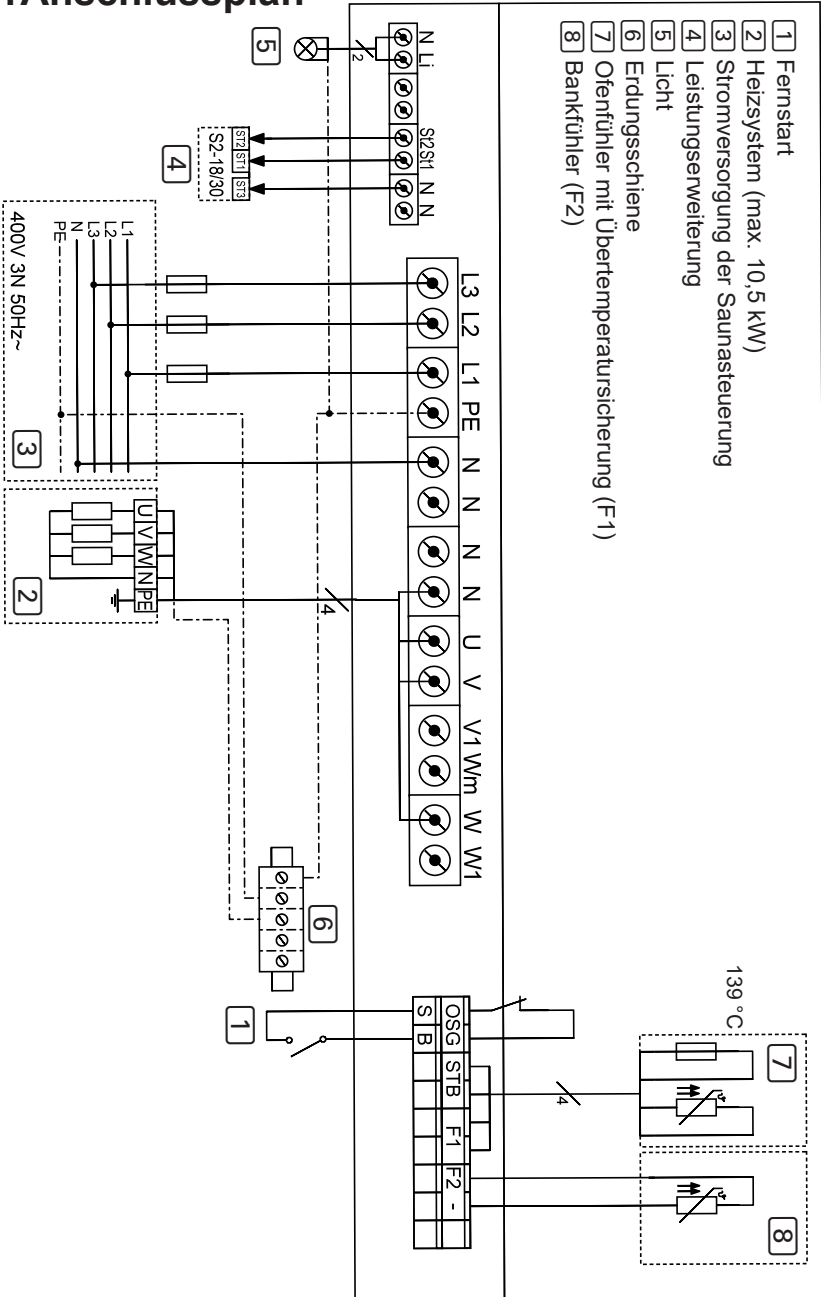
- Berühren Sie NIEMALS spannungsführende Teile.
-

1. Prüfen Sie den Kontakt der Erdungsleitungen an der Schutzleiterklemme.
2. Prüfen Sie die Übertemperatur-Sicherung des Ofenfühlers F1.
 - a. Schalten Sie die Saunasteuerung ein.
 - b. Öffnen Sie den Ofenfühler und klemmen Sie eine der beiden roten Ofenfühler-Leitungen ab.
 - ▶ Im oberen Display wird "Err" angezeigt, im unteren Display "02" und die Steuerung schaltet den Ofen ab.
 - c. Schalten Sie die Saunasteuerung aus.
 - d. Klemmen Sie die rote Ofenfühler-Leitung wieder an.
 - e. Klemmen Sie nun eine der weißen Ofenfühler-Leitungen ab.
 - f. Schalten Sie die Saunasteuerung ein.
 - ▶ Im oberen Display wird "Err" angezeigt, im unteren Display "04F1" und die Steuerung schaltet den Ofen ab.
 - g. Schalten Sie die Saunasteuerung aus.
 - h. Klemmen Sie die weiße Ofenfühler-Leitung wieder an.
3. Prüfen Sie die Phasendurchschaltung für den Sauna-Betrieb L1, L2, L3 zu U, V, W.
4. Überprüfen Sie die maximal zulässige Heizleistung an der Saunasteuerung von 3,5 kW je Phase.

5. Bei optionaler Leistungserweiterung
 - a. Prüfen Sie die Steuerleitungen ST1, ST2 und ST3.
 - b. Überprüfen Sie die maximal zulässige Heizleistung an der Leistungserweiterung S2-18 von 3 kW je Phase.
 - c. Überprüfen Sie die maximal zulässige Heizleistung an der Leistungserweiterung S2-30 von 7 kW je Phase.

7. Anschlussplan

Abb.4 Anschlussplan



8. Inbetriebnahme

Über die Funktionswahlschalter im Anschlussbereich für Kleinspannung können verschiedene Produktfunktionen aktiviert werden. Die Abbildung rechts zeigt die Standardeinstellung der Funktionswahlschalter.

Beachten Sie, dass nach Änderungen die Steuerung für 10 Sek. ausgeschaltet werden muss, um die Einstellungen zu speichern.

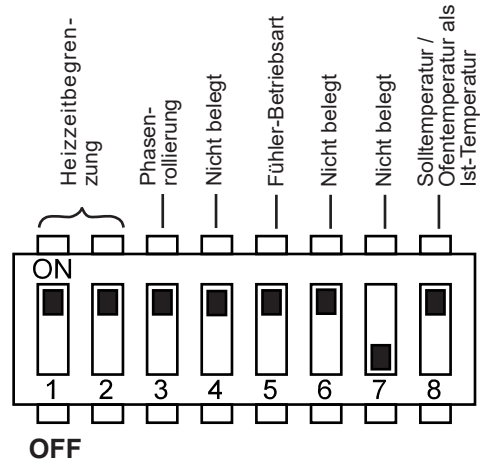


Abb.5 Funktionswahlschalter - Standardeinstellung

8.1. Heizzeitbegrenzung einstellen

Die maximale Heizzeit ist standardmäßig auf 6 h eingestellt. Die Saunasteuerung schaltet sich nach Ablauf der maximalen Heizzeit aus Sicherheitsgründen automatisch ab.

Über die Funktionswahlschalter im Anschlussbereich für Kleinspannung kann die maximale Heizdauer auf 12 h, 18 h oder 24 h eingestellt werden. Die dafür erforderlichen Positionen der Funktionswahlschalter finden Sie in der Tabelle rechts.

| <i>Funktionswahlschalter</i> | 1 | 2 |
|------------------------------|-----|-----|
| 6 h | ON | ON |
| 12 h | OFF | ON |
| 18 h | ON | OFF |
| 24 h | OFF | OFF |

DE



Die EN 60335-2-53 schreibt für private Saunen eine maximale Heizzeitbegrenzung von 6 h vor. Für Saunen in Hotels, Wohnblöcken und ähnlichen Standorten ist eine Heizzeitbegrenzung von maximal 12 h zulässig. Die Erweiterung der Heizzeitbegrenzung auf 18 h oder 24 h ist nur in öffentlichen Saunen gestattet.

8.2. Phasenrollierung aktivieren/deaktivieren

Die Phasenrollierung wird mit dem Funktionswahlschalter **3** aktiviert bzw. deaktiviert.

- Standardmäßig befindet sich der Funktionswahlschalter **3** in ON-Position. Die Phasenrollierung ist damit aktiviert.
- Wenn Sie die Phasenrollierung deaktivieren möchten, bringen Sie den Funktionswahlschalter **3** in die OFF-Position.

8.3. Ein-Fühlerbetrieb aktivieren/deaktivieren

Im Ein-Fühlerbetrieb wird die Saunasteuerung nur mit dem Ofenfühler mit Über-temperatur-Sicherung (F1-Fühler) betrieben. Der Ein-Fühlerbetrieb muss über den Funktionswahlschalter **5** aktiviert werden.

- Standardmäßig befindet sich der Funktionswahlschalter **5** in ON-Position. Der Zwei-Fühlerbetrieb ist damit aktiviert.
- Wenn Sie den Ein-Fühlerbetrieb aktivieren möchten, bringen Sie den Funktionswahlschalter **5** in die OFF-Position.

8.4. Ofentemperatur im Ein-Fühlerbetrieb anzeigen

Im Ein-Fühlerbetrieb zeigt die Saunasteuerung standardmäßig nur die Soll-Temperatur an. Die Ist-Temperatur wird nicht angezeigt. Wenn die Saunasteuerung im Ein-Fühlerbetrieb die Temperatur über dem Ofen (F1-Fühler) als Ist-Temperatur anzeigen soll, muss dies mit dem Funktionswahlschalter **8** aktiviert werden.

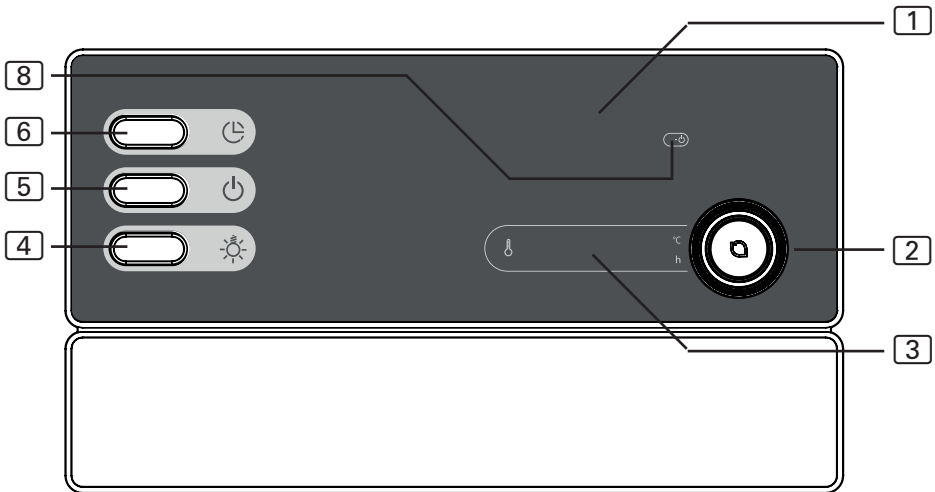
- Standardmäßig befindet sich der Funktionswahlschalter **8** in ON-Position. Damit wird nur die Solltemperatur angezeigt.
- Wenn die Temperatur über dem Ofen als Ist-Temperatur angezeigt werden soll, bringen Sie den Funktionswahlschalter **8** in die OFF-Position.



Bitte beachten Sie, dass die Temperatur über dem Ofen immer höher ist, als die Temperatur im Bereich der Sitzbänke. Mit der Ofentemperatur als Ist-Temperatur, wird die Temperatur, die die Saunasteuerung anzeigt, höher sein als die Temperatur, die Ihr Kabinenthermometer misst.

9. Bedienung

9.1. Bedienelemente



1 Zusatz-Anzeige

2 Temperatur-Wähler

3 Temperatur-Anzeige

4 Lichtschalter

5 EIN/AUS-Schalter

6 Vorwahlzeit-Taster

8 Fernstart-Anzeige

DE

9.2. Licht einschalten

Das Licht in der Saunakabine kann unabhängig vom EIN/AUS-Schalter **5** eingeschaltet und ausgeschaltet werden.

- Um das Licht einzuschalten bzw. auszuschalten, drücken Sie den Lichtschalter **4**.

9.3. Saunasteuerung einschalten

**WARNUNG!****Brandgefahr**

Brennbare Gegenstände, die auf dem heißen Saunaofen liegen, können sich entzünden und Brände verursachen.

- Legen Sie NIEMALS brennbare Gegenstände auf den Saunaofen.
- Stellen Sie sicher, dass KEINE brennbaren Gegenstände auf dem Saunaofen liegen, bevor Sie die Saunasteuerung einschalten.

- Drücken Sie den EIN/AUS-Schalter **[5]**, um die Saunasteuerung einzuschalten.
 - ▶ In der Temperatur-Anzeige **[3]** erscheint für einige Sekunden "0". Anschließend wird die aktuelle Temperatur in der Kabine angezeigt. Im Ein-Fühlerbetrieb wird die zuletzt eingestellte Soll-Temperatur angezeigt.

9.4. Sauna starten

1. Stellen Sie mit dem Temperatur-Wähler **[2]** die gewünschte Temperatur ein.
 - ▶ Der Temperatur-Wähler **[2]** blinkt und die eingestellte Soll-Temperatur wird in der Temperatur-Anzeige **[3]** angezeigt.
2. Drücken Sie auf den Temperatur-Wähler **[2]**.
 - ▶ Der Saunaofen wird eingeschaltet und beginnt zu heizen.
 - ▶ In der Temperatur-Anzeige **[3]** wird die aktuelle Temperatur in der Kabine angezeigt. Im Ein-Fühlerbetrieb wird die Soll-Temperatur angezeigt.

9.5. Soll-Temperatur ändern

Sie können während des Betriebs jederzeit die eingestellte Soll-Temperatur ändern.

- Drehen Sie den Temperatur-Wähler **[2]** nach rechts, um die Temperatur zu erhöhen.
Drehen Sie den Temperatur-Wähler **[2]** nach links, um die Temperatur zu senken.
 - ▶ Der Temperatur-Wähler **[2]** blinkt und die eingestellte Soll-Temperatur wird in der Temperatur-Anzeige **[3]** angezeigt.
 - ▶ Anschließend wird in der Temperatur-Anzeige **[3]** wieder die aktuelle Temperatur in der Kabine angezeigt. Im Ein-Fühlerbetrieb wird die Soll-Temperatur angezeigt.

9.6. Vorwahlzeit einstellen



WARNUNG!

Brandgefahr

Brennbare Gegenstände, die auf dem heißen Saunaofen liegen, entzünden sich und verursachen Brände.

- Legen Sie NIEMALS brennbare Gegenstände auf den Saunaofen.
- Stellen Sie sicher, dass KEINE brennbaren Gegenstände auf dem Saunaofen liegen, bevor Sie die Vorwahlzeitfunktion aktivieren .

Sie können die Vorwahlzeit in 15-Minuten-Schritten einstellen. Die maximale Vorwahlzeit beträgt 24 Stunden. Die Vorwahlzeit wird in Stunden und Minuten angezeigt, z.B. werden 8 Stunden und 15 Minuten als 8.15 angezeigt.

1. Starten Sie die den Saunaofen (siehe Punkt **9.4. Sauna starten** auf Seite 24).
2. Drücken Sie den Vorwahlzeit-Taster **6**.
 - ▶ Der Temperatur-Wähler **2** blinkt und in der Temperatur-Anzeige **3** wird die zuletzt eingestellte Vorwahlzeit angezeigt.
3. Drücken Sie auf den Vorwahlzeit-Taster **6**, um die Vorwahlzeit in 15-Minuten-Schritten zu erhöhen.
4. Wenn Sie die gewünschte Vorwahlzeit erreicht haben, warten Sie einige Sekunden.
 - ▶ Die Saunasteuerung wechselt in den Standby-Modus und der Timer läuft.
 - ▶ In der Temperatur-Anzeige **3** wird die verbleibende Vorwahlzeit angezeigt. Der Temperatur-Wähler **2** blinkt.
 - ▶ Nach Ablauf der Vorwahlzeit wird der Saunaofen eingeschaltet.

9.7. Vorwahlzeitfunktion abbrechen

- Drücken Sie für drei Sekunden (Longpress) auf den Vorwahlzeit-Taster **[6]**, um die Vorwahlzeitfunktion abzubrechen.
 - ▶ Das Ablaufen der Vorwahlzeit wird abgebrochen.
 - ▶ In der Temperatur-Anzeige **[3]** wird die aktuelle Temperatur in der Kabine angezeigt. Im Ein-Fühlerbetrieb wird die Soll-Temperatur angezeigt.



Die zuletzt eingestellte Vorwahlzeit wird gespeichert, somit kann mit nur einem Tastendruck der letzte Wert aufgerufen werden. Um die Vorwahlzeit auf 00:00 zurückzustellen, drücken Sie für drei Sekunden (Longpress) auf die Vorwahlzeit-Taste

9.8. Standby für Fernwirken aktivieren

Laut EN 60335-2-53 müssen Saunasteuerungen mit Fernstartfunktion manuell auf die Betriebsart „Standby für Fernwirken“ gestellt werden. Diese Aktivierung muss nach jedem Fernstart- und Fernstopp-Vorgang neu erfolgen. Führen Sie dazu folgende Schritte durch:

1. Drücken Sie für drei Sekunden (Longpress) auf den Temperaturwähler **[2]**.
 - ▶ Die Fernstart-Anzeige **[8]** beginnt zu blinken.
 - ▶ Die Saunasteuerung ist nun bereit um über ein Fernstartsignal gestartet und gestoppt zu werden.
 - ▶ Nach erfolgtem Fernstart- und Fernstopp erlischt die Fernstart-Anzeige und die Aktivierung der Betriebsart muss erneut vorgenommen werden.

9.9. Saunasteuerung ausschalten

1. Drücken Sie auf den Temperatur-Wähler **[2]**.
 - ▶ Der Saunaofen wird ausgeschaltet.
2. Drücken Sie den EIN/AUS-Schalter **[6]**, um die Saunasteuerung auszuschalten.
 - ▶ Die Temperatur-Anzeige **[4]** erlischt.
 - ▶ Die Saunasteuerung ist ausgeschaltet.

10. Reinigung und Wartung

10.1. Reinigung

ACHTUNG!**Schäden am Gerät**

Die Saunasteuerung ist spritzwassergeschützt, trotzdem kann direkter Kontakt mit Wasser das Gerät beschädigen.

- Tauchen Sie das Gerät NIEMALS in Wasser.
 - Übergießen Sie das Gerät nicht mit Wasser.
 - Reinigen Sie das Gerät nicht zu feucht.
-

1. Tränken Sie ein Reinigungstuch in milder Seifenlauge.
2. Drücken Sie das Reinigungstuch gut aus.
3. Wischen Sie das Gehäuse der Saunasteuerung vorsichtig ab.

10.2. Wartung

Die Saunasteuerung ist wartungsfrei.

11. Entsorgung



- Entsorgen Sie die Verpackungsmaterialien nach den gültigen Entsorgungsrichtlinien.
- Altgeräte enthalten wiederverwendbare Materialien, aber auch schädliche Stoffe. Geben Sie Ihr Altgerät deshalb auf keinen Fall in den Restmüll, sondern entsorgen Sie das Gerät nach den örtlich geltenden Vorschriften.

12. Problemlösung

12.1. Fehlermeldungen

Die Saunasteuerung ist mit einer Diagnosesoftware ausgestattet, die beim Einschalten und im Betrieb die Systemzustände überprüft. Sobald die Diagnosesoftware einen Fehler erkennt, schaltet die Saunasteuerung den Saunaofen ab.

Fehler werden durch einen wiederkehrenden Warnton und durch das Blinken des Temperatur-Wählers **3** angezeigt. Zusätzlich wird in der Zusatz-Anzeige **1** der Text "Err" angezeigt. In der der Temperatur-Anzeige **3** wird die Fehlernummer angezeigt.

Schalten Sie die Saunasteuerung mit dem EIN/AUS-Schalter **5** aus und beheben Sie den Fehler bevor Sie die Saunasteuerung wieder einschalten.

Die folgende Tabelle beschreibt die möglichen Fehler und deren Ursache. Bei Bedarf teilen Sie die Fehlernummer Ihrem Kundendienst mit.

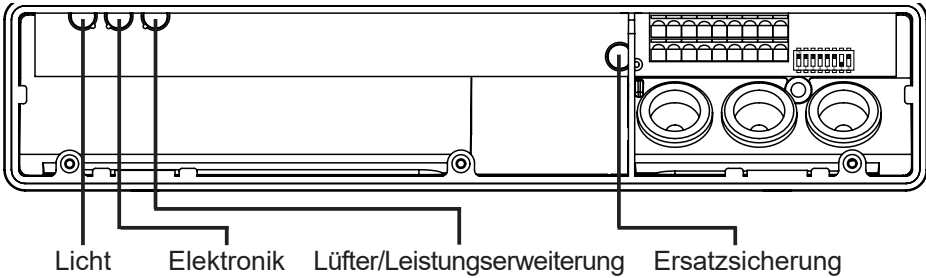
| <i>Fehler</i> | <i>Beschreibung</i> | <i>Ursache / Behebung</i> |
|---------------|--------------------------------|--|
| 01 | Sicherheitsabschaltung | Ein Gegenstand liegt auf dem Saunaofen. Entfernen Sie diesen bevor Sie den Saunaofen wieder in Betrieb nehmen. Ist keine Sicherheitsabschaltung montiert, beachten Sie 5.6. auf Seite 16. |
| 02 | Sicherheitstemperaturbegrenzer | Die maximale Temperatur von 139 °C über dem Ofen wurde überschritten. |
| 04F1 | Ofenfühler-Fehler | Defekter Ofenfühler, schlechter Kontakt oder Kurzschluss |
| 06F2 | Bankfühler-Fehler | Defekter Bankfühler, schlechter Kontakt oder Kurzschluss |

12.2. Sicherungen

Im Anschlussbereich der Saunasteuerung befinden sich Sicherungen für Licht, Lüfter/Leistungserweiterung und Elektronik sowie eine Ersatzsicherung.

Hierbei handelt es sich um 1A träge Mikrosicherungen.

Diese können mit der Artikelnummer PRO-FUSE bestellt werden.



Zum Tauschen der Sicherung den Sicherungseinsatz gerade abziehen und die neue Sicherung einsetzen.

13. Technische Daten

Umgebungsbedingungen

| | |
|----------------------|-------------------|
| Lagertemperatur: | -25 °C bis +70 °C |
| Umgebungstemperatur: | -10 °C bis +40 °C |
| Luftfeuchtigkeit: | max. 95% |

Saunasteuerung

| | |
|--|-------------------|
| Abmessungen: | 307 x 175 x 57 mm |
| Schaltspannung / dreiphasig 3N: | 400 V AC |
| Frequenz: | 50 Hz |
| Schaltleistung / Heizgerät : | 3 x 3,5 kW |
| Schaltstrom pro Phase / Heizgerät: | 16 A |
| Nennspannung: | 230 V |
| Schutzart (spritzwassergeschützt): | IPX4 |
| Anschluss an das Versorgungsnetz als Festverdrahtung (Festanschluss) | |

Licht

| | |
|-----------------|-------|
| Schaltleistung: | 100 W |
| Sicherung: | 1A T |

Einstellbereiche

| | |
|-------------|------------------|
| Temperatur: | 30 °C bis 110 °C |
|-------------|------------------|

Thermische Sicherheit

Ofenfühler mit Übertemperatur-Sicherung (139 °C Abschalttemperatur)
Automatische Heizzeitbegrenzung einstellbar (6 h, 12 h, 18 h, 24 h)*
Wahlweise Ein-Fühlerbetrieb oder Zwei-Fühlerbetrieb

Anschlussleitungen

| | |
|---|------------------------------|
| Versorgungsleitung: | min. 5 x 2,5 mm ² |
| Ofenzuleitung (temperaturbeständig bis 150 °C): | min. 2,5 mm ² |
| Fühlerleitungen (temperaturbeständig bis 150 °C): | min. 0,5 mm ² |
| Lichtleitung: | min. 1,5 mm ² |

* Die EN 60335-2-53 schreibt für private Saunen eine Heizzeitbegrenzung von 6 h vor. Für Saunen in Hotels, Wohnblöcken und ähnlichen Standorten ist eine Heizzeitbegrenzung von 12 h zulässig. Die Erweiterung der Heizzeitbegrenzung auf 18 h oder 24 h ist nur in öffentlichen Saunen gestattet.





sentiotec GmbH | Division of Harvia Group | Wartenburger Straße 31, A-4840 Vöcklabruck
T +43 (0) 7672/22 900-50 | F -80 | info@sentiotec.com | www.sentiotec.com