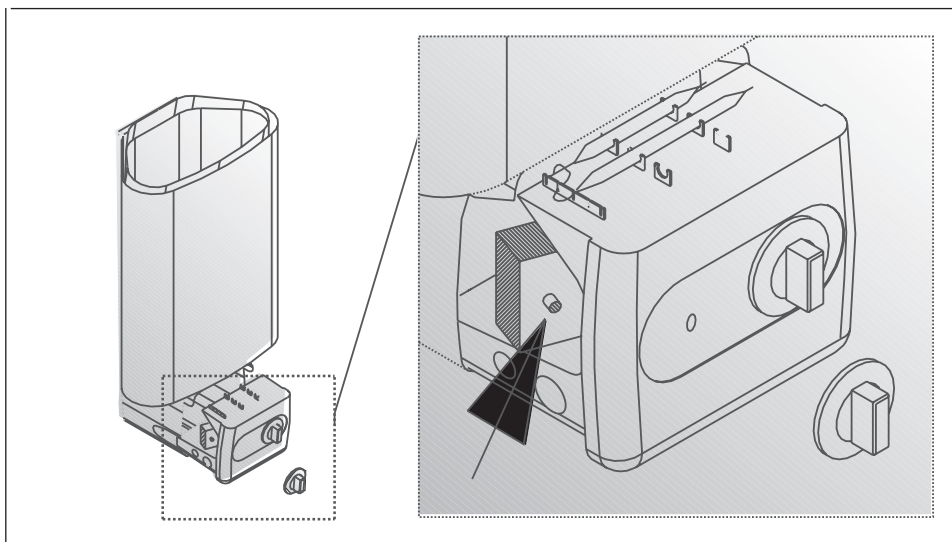


***Installing the temperature sensor (all dimensions in millimeters)***



***Reset button for overheat protector***